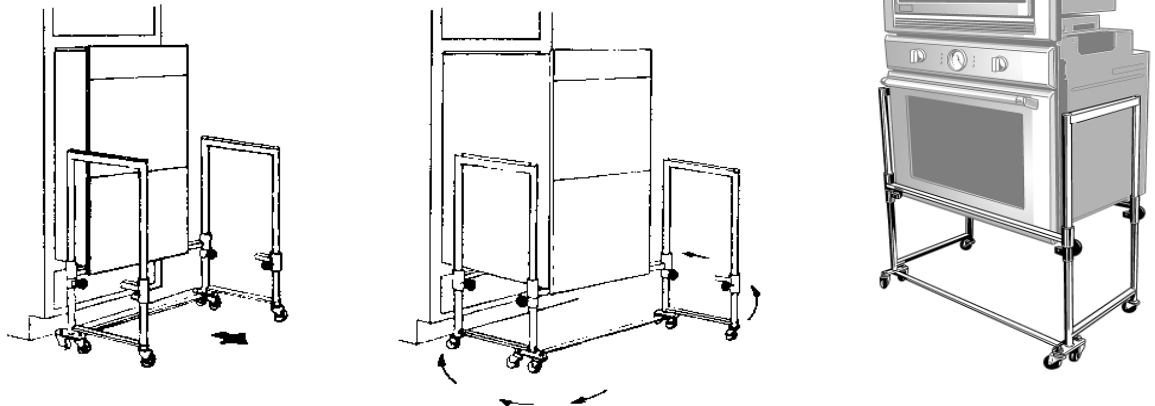
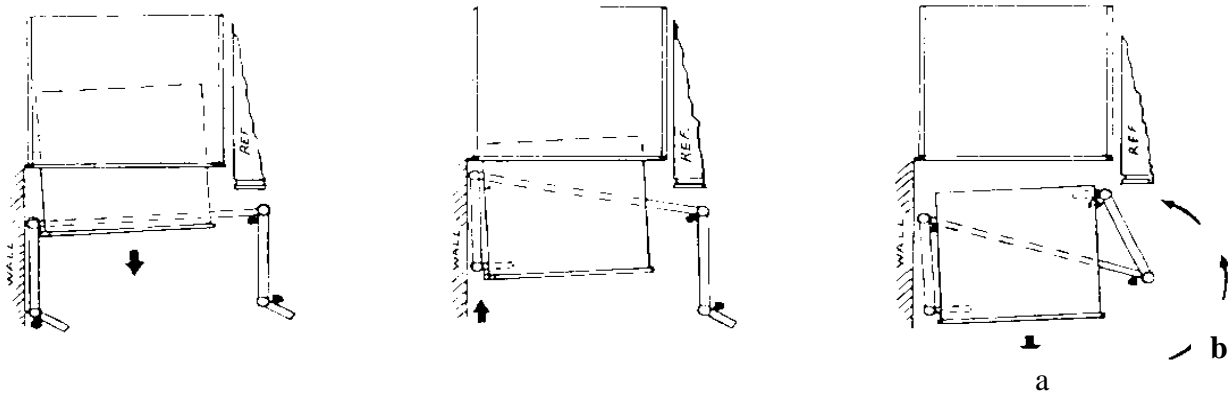


## Suggestions on how to use the AllDolly

**PROCEDURE:** Where there is room to fully rotate the AllDolly's legs.



**PROCEDURE:** Where the oven is between a wall and a protruding refrigerator.



### **STEP 1:**

The space next to the wall can be increased if it is necessary, by angling the oven away from the wall.

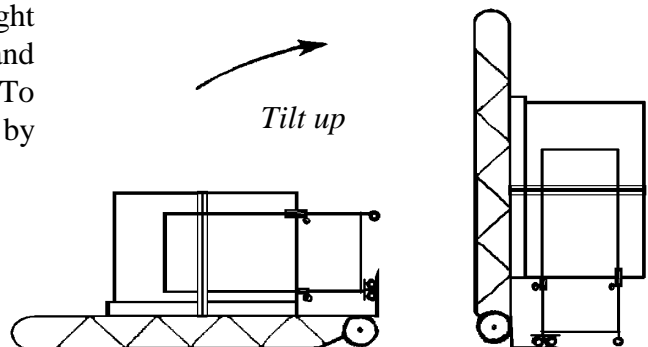
### **STEP 2:**

Slide the supporting beam rearward on the wall side to bring the short beam into use, as indicated above.

### **STEP 3:**

**a.** Support the oven on three points until it is pulled clear of the refrigerator. **b.** Then rotate other leg into place.

**Oven Installation:** Set your AllDolly to height desired, place oven on the AllDolly beams and strap both to the appliance hand truck. To support the AllDolly on the hand truck a two by six approximately 3 feet long can be used.



**AllDolly**  
Appliance  
Moving Solutions

*Manufactured in America*

1075 Florence Way, Campbell, California, America 95008  
P: 408.378.2344 ♦ f: 408.378.2898 ♦ [www.AllDolly.com](http://www.AllDolly.com)